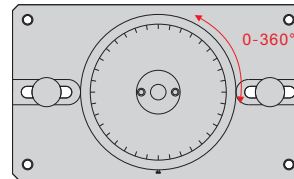
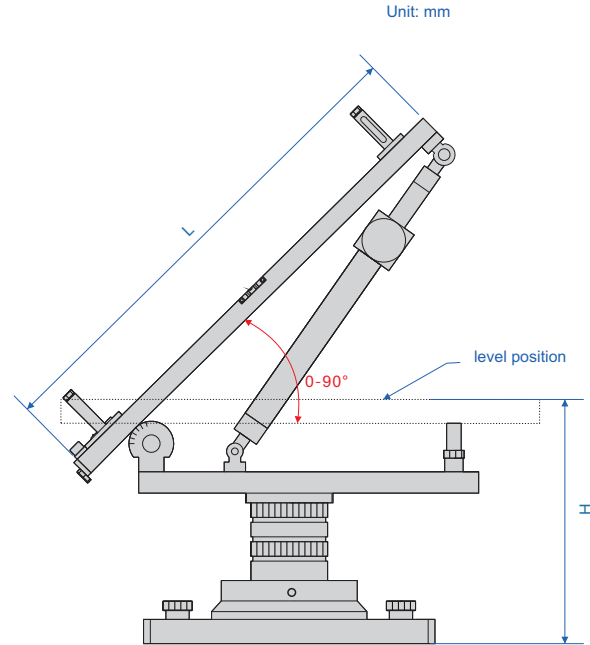


GAGE BLOCK STAND FOR CMM



6885-1000



- Made of aluminum
- Used with gage blocks to calibrate CMM
- Optional accessory: gage blocks (4101, 4103, 4104 series)

Code	Length L (mm)	Height H (mm)
6885-1000	500, 600, 650, 700, 750, 800, 850, 900, 1000	235, 355, 475



extension plate
(included, 4 pcs)



height column
(included, 2 pcs)